

PROJECT OWNER/DEVELOPER:
 CAMP VERDE
 PUBLIC WORKS
 395 SOUTH MAIN STREET
 CAMP VERDE, ARIZONA 86322
 (928) 554-0872

PROJECT ENGINEER:
 SHEPHARD-WESNITZER INC.
 JOSEPH T. LINK, P.E.
 1756 E. VILLA DRIVE, SUITE C-11
 COTTONWOOD, AZ 86326

LEGEND

- CITY LIMITS
- 260 RIGHT OF WAY
- S — EXISTING GRAVITY SEWER
- S — PROPOSED GRAVITY SEWER
- FSS — PROPOSED FORCED MAIN SEWER
- PROPOSED 18" PVC PIPE SLEEVE FOR FUTURE CROSSING

SHEET INDEX		
SHEET NO.	DWG NO.	SHEET TITLE
1	OV	OVERVIEW AND INDEX
2	SS01	SEWER 1
3	SS02	SEWER 2
4	SS03	SEWER 3

- NOTES:**
- THESE PLANS ARE PART OF THE CAMP VERDE SEWER MASTER PLAN FOR THE AREA WEST OF INTERSTATE 17 AND SOUTH OF THE VERDE RIVER.
 - PARCEL AND TOPOGRAPHIC DATA PROVIDED BY YAVAPAI COUNTY.



REVISIONS			
NO.	DESCRIPTION	DATE	BY



1756 E. Villa Dr.
 Suite C-11
 Cottonwood, AZ 86326
 928-639-2712
 928-639-2713 Fax
 www.swiaz.com

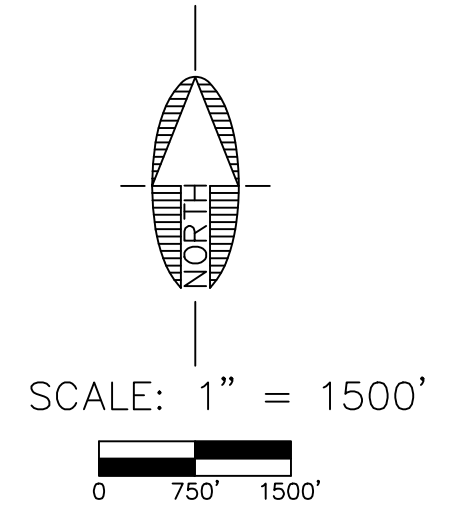
JOB NO:	15089
DATE:	FEB. 2018
SCALE:	AS SHOWN
DRAWN:	LSB
DESIGN:	TRL
CHECKED:	DMM

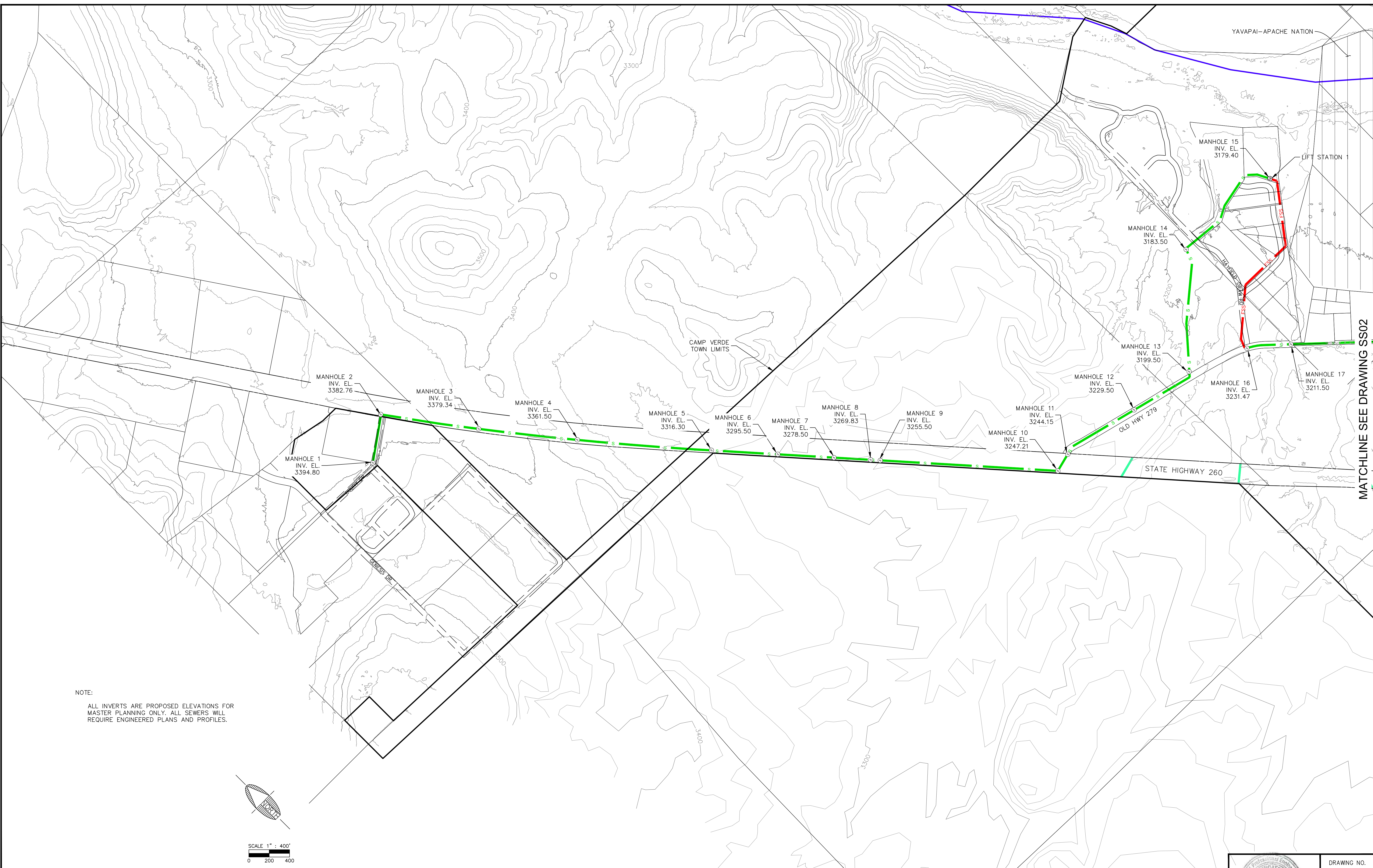
SEWER MASTER PLAN
 OVERVIEW AND INDEX

CAMP VERDE
 ARIZONA

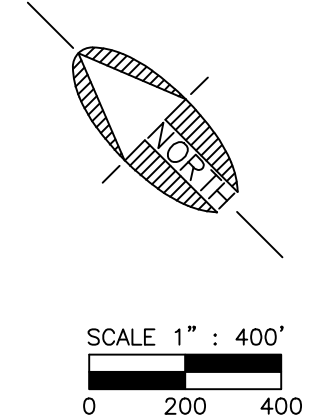


DRAWING NO.	
OV	
SHT NO.	OF
1	4





NOTE:
ALL INVERTS ARE PROPOSED ELEVATIONS FOR MASTER PLANNING ONLY. ALL SEWERS WILL REQUIRE ENGINEERED PLANS AND PROFILES.



REVISIONS			
NO.	DESCRIPTION	DATE	BY

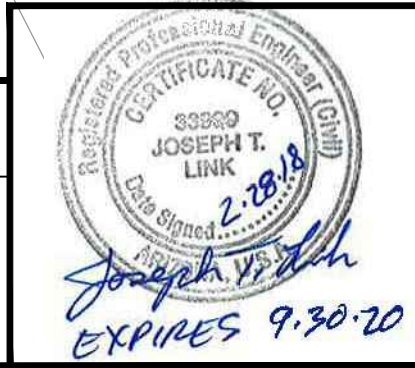
SWI
Shephard Wesnitzer, Inc.

1756 E. Villa Dr.
Suite C-11
Cottonwood, AZ 86326
928-639-2712
928-639-2713 Fax
www.swiaz.com

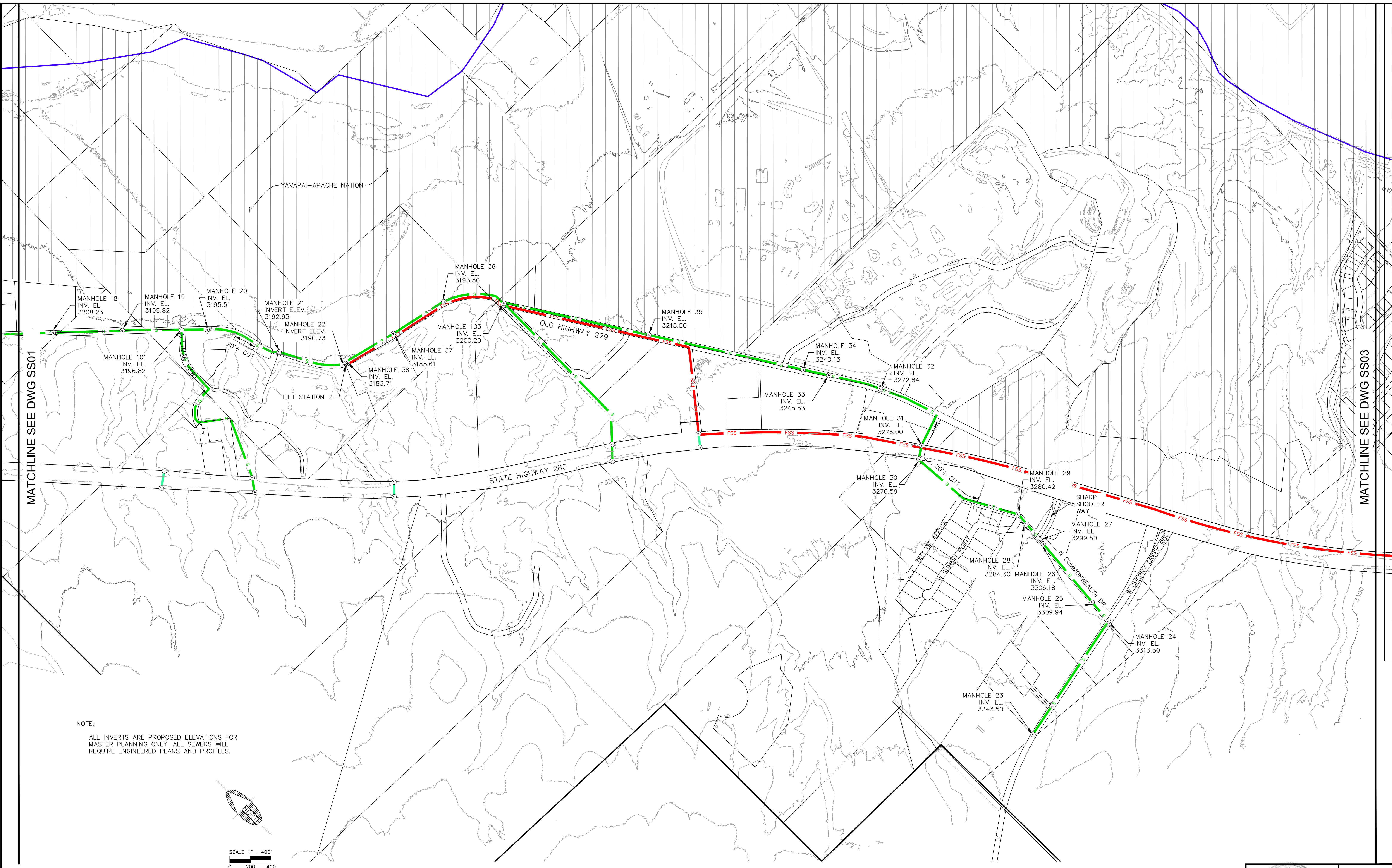
JOB NO:	15089
DATE:	FEB 2018
SCALE:	AS SHOWN
DRAWN:	LSB
DESIGN:	TRL
CHECKED:	DMM

SEWER MASTER PLAN
CAMP VERDE ARIZONA

SEWER 1



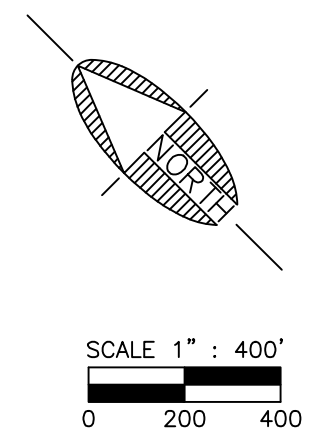
DRAWING NO.	SS01
SHT NO.	2
OF	4



MATCHLINE SEE DWG SS01

MATCHLINE SEE DWG SS03

NOTE:
ALL INVERTS ARE PROPOSED ELEVATIONS FOR
MASTER PLANNING ONLY. ALL SEWERS WILL
REQUIRE ENGINEERED PLANS AND PROFILES.



Call at least two full working days before you begin excavation.
Dial 8-1-1 or 1-800-STAKE-IT (782-5348)

REVISIONS			
NO.	DESCRIPTION	DATE	BY



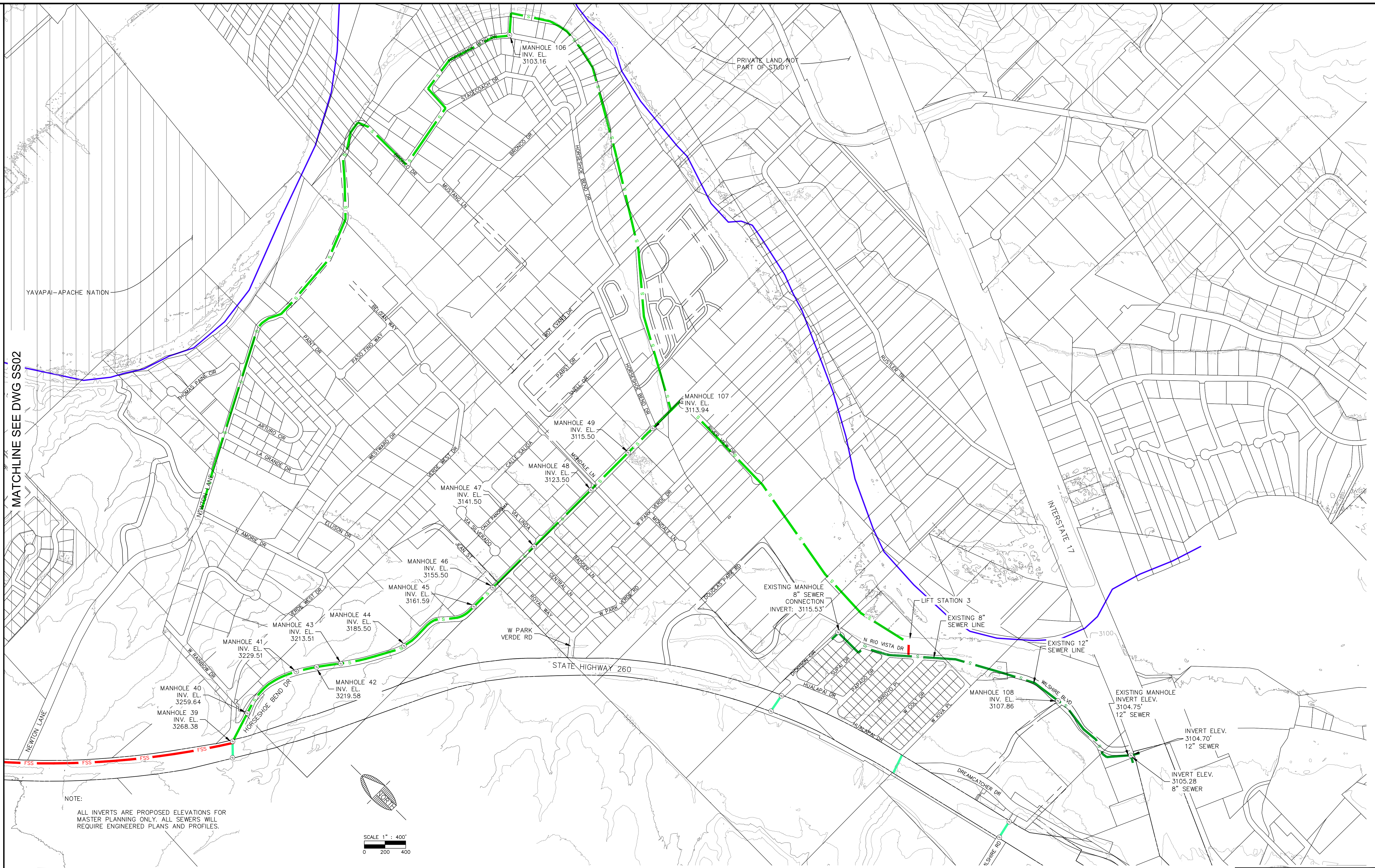
1756 E. Villa Dr.
Suite C-11
Cottonwood, AZ 86326
928-639-2712
928-639-2713 Fax
www.swiaz.com

JOB NO:	15089
DATE:	FEB 2018
SCALE:	AS SHOWN
DRAWN:	LSB
DESIGN:	TRL
CHECKED:	DMM

SEWER MASTER PLAN
CAMP VERDE ARIZONA
SEWER 2

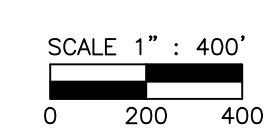


DRAWING NO.	SS02
SHT NO.	3
OF	4



MATCHLINE SEE DWG SS02

NOTE:
ALL INVERTS ARE PROPOSED ELEVATIONS FOR MASTER PLANNING ONLY. ALL SEWERS WILL REQUIRE ENGINEERED PLANS AND PROFILES.



Call at least two full working days before you begin excavation.

Arizona Blue Stake, Inc.
Dial 8-1-1 or 1-800-STAKE-11 (782-5348)

REVISIONS			
NO.	DESCRIPTION	DATE	BY

SWI
Shepard Wesnitzer, Inc.

1756 E. Villa Dr.
Suite C-11
Cottonwood, AZ 86326
928-639-2712
928-639-2713 Fax
www.swiaz.com

JOB NO:	15089
DATE:	FEB. 2018
SCALE:	AS SHOWN
DRAWN:	LSB
DESIGN:	TRL
CHECKED:	DMM

SEWER MASTER PLAN

SEWER 2

CAMP VERDE
ARIZONA



DRAWING NO.	SS03
SHT NO.	4
OF	4